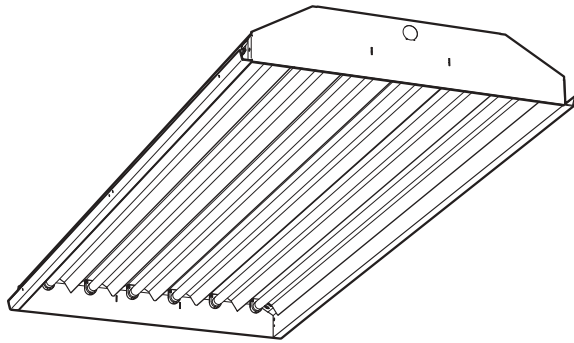


LOW PROFILE T5 INDUSTRIAL

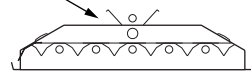
SERIES

GL
5/6 T5

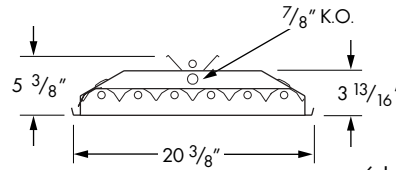
VOLTAGE TYPE JOB



Optional upright & reflector



5 Lamp



6 Lamp

SPECIFICATIONS

- HOUSING – .050" die formed aluminum housing
- REFLECTIVE SURFACES – highly specular anodized MIRO 4™ aluminum reflector
- FINISH – white powder coating with 5-stage iron/phosphate prepared metal. 92% minimum average reflectance
- ELECTRICAL – electronic ballast standard, T5 HO, programmed start, rated class P
- LABELS – UL listed as fluorescent fixture suitable for dry or damp locations. CUL listing for Canada available – consult factory
- MOUNTING – Pendant mount with VBY hanger and chain, 3" spacer brackets or 3/4" conduit utilizing hub and splice box adapter

FEATURES

- Occupancy sensors are available to instantly turn the lights on only when they're needed – nothing saves energy like lights out!
- Heavy gauge aluminum housing for maximum heat dissipation and extended ballast life
- Easy access to ballast without the removal of lamps or the use of tools
- Unlike HID, T5HO lamps maintain 95% of their original output and provide much better color rendition
- Mounting options include stem, chain, or surface (using 3" spacer bracket)
- Shallow fixture depth of less than 4" allows fixture placement near the ceiling for maximum space utilization and reduces damage incurred from material handling equipment

SUBMITTAL INFORMATION

For more options, accessories, and product details, refer to Information Section

LUMINAIRE SERIES
 NOMINAL LENGTH
 4 = 4 ft.
 8 = 8 ft.
 TOTAL LAMPS UP
 (leave blank if no upright)
 1 or 2 = (4 ft. length)
 2 or 4 = (8 ft. length)

WG11 = 11 Ga. white powder coat wireguard
 S7238/B = Cord, 72" length, No. 18 AWG, 3 conductor, black
 HUB 3/4" = Cast iron hub & junction box for single pendant mount (4' unit, 100% down light only)
 UPHUB 3/4" = Cast iron hub & junction box for single pendant mount (4' unit with upright)
 OCC SEN = Occupancy Sensor
 VBY = VBY hanger (1 pair) – use when chain mounting
 SCHA118 = Steel door frame, 0.118" thick, clear high temperature acrylic glazing (non-prismatic clear lens)
 PHSCHA118 = Piano hinged steel door frame, 0.118" thick, clear high temperature acrylic glazing (non-prismatic clear lens)
 3SB = 3" spacer bracket (1 pair)
 UPREFL = Uplight Reflector

GL-4-554T5H/154T5H-OPTIONS-EB2/2/2-277

TOTAL LAMPS DOWN
 5 or 6 (4 ft. length)
 10 or 12 (8 ft. length)

LAMP WATTAGE/TYPE
 54T5H = 4', 54 watt T5HO

BALLAST TYPE
 EB2/2/1 = (2) 2 lamp & (1) 1 lamp electronic ballasts
 EB2/2/2 = (3) 2 lamp electronic ballasts
 EB2/2/2/1 = (3) 2 lamp & (1) 1 lamp electronic ballasts
 EB2/2/2/2 = (4) 2 lamp electronic ballasts
 EB4/1 = (1) 4 lamp & (1) 1 lamp electronic ballast
 EB4/4/4 = (3) 4 lamp electronic ballast
 EB4/4/4 = (3) 4 lamp electronic ballasts

VOLTAGE
 120 = 120V
 277 = 277V
 347 = 347V
 480 = 480V
 UNV - 120 - 277V



GL

5 / 6 T 5

S
E
R
I
E
S**PHOTOMETRY INFORMATION**

Williams Catalog #GL-4-654T5H-EB2/2/2/120

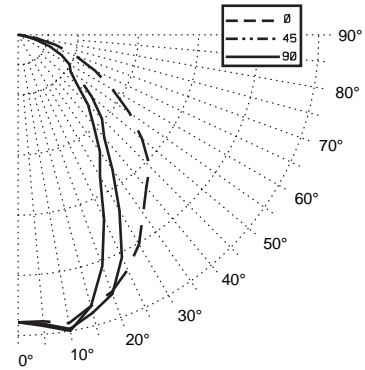
Test Report #11837.0, Dated 2/27/03

Lamp Type: FP54W/T5HO/835

Lamp Quantity: 6

CANDLEPOWER DISTRIBUTION

VERT. ANG.	HORIZONTAL ANGLE			ZONAL LUMENS
	0	45	90	
0	13095.	13095.	13095.	
5	13101.	13220.	13312.	1261.3
15	12797.	13114.	12810.	3672.9
25	11807.	11186.	9258.	5037.8
35	9931.	7488.	6497.	5062.6
45	8478.	5401.	4503.	4644.2
55	6194.	3354.	2918.	3397.1
65	3869.	1994.	2179.	2395.2
75	1769.	1082.	818.	1137.9
85	198.	132.	145.	165.4
90	0.	0.	0.	

**LUMEN SUMMARY**

ZONE	LUMENS	% LAMP	% FIXTURE
0 - 30	9972.	33.2	37.2
0 - 40	15035.	50.1	56.2
0 - 60	23076.	76.9	86.2
0 - 90	26774.	89.2	100.0
90 - 120	0.	0.0	0.0
90 - 130	0.	0.0	0.0
90 - 150	0.	0.0	0.0
90 - 180	0.	0.0	0.0
0 - 180	26774.	89.2	100.0

ZONAL CAVITY COEFFICIENTS

EFFECTIVE FLOOR CAVITY REFL. = .20

CEILING	.80			.70			.50			
	WALL	.70	.50	.30	.70	.50	.30	.50	.30	.10
0		106	106	106	104	104	104	99	99	99
1		99	96	93	97	94	91	90	86	86
2		92	86	81	90	84	80	81	77	74
3		85	77	71	83	76	70	73	69	65
4		79	70	63	77	68	62	66	61	57
5		73	62	55	71	62	55	60	54	49
6		67	57	50	66	56	49	54	48	44
7		63	52	44	61	51	44	50	43	39
8		58	47	40	57	46	39	45	39	34
9		54	42	35	52	42	35	41	35	30
10		50	39	32	49	38	32	37	31	27

TOTAL LUMINAIRE

OPTICAL EFFICIENCY = 89.2 %

SPACING CRITERIA: END = 1.2 DIAG. = 1.1 ACROSS = 1.0

BACK VIEW