

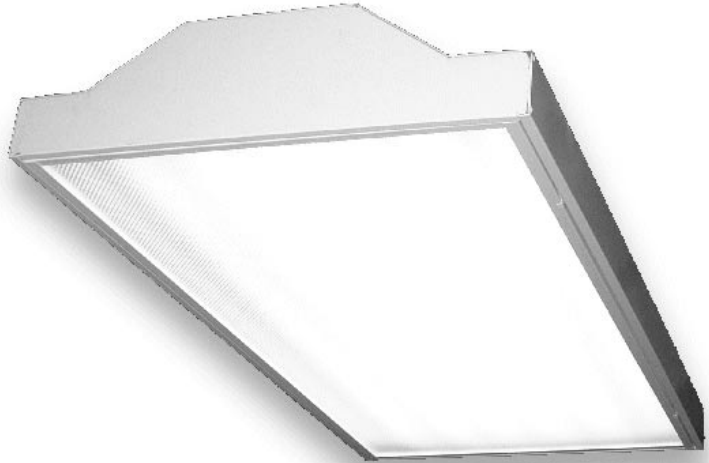
**Features**

*A Breakthrough Alternative to HID High-Bay Systems*

*Superior Light Quality, 86.6% Photometric Efficiency (with clear acrylic lens)*

*Post-painted, aluminum construction insures durability and long life*

*224 Watts ( with high-lumen ballasts )*



**Technical Data**

**Housing:** 20ga. (0.036") aluminum die formed with sufficient knockouts for mounting and electrical supply.

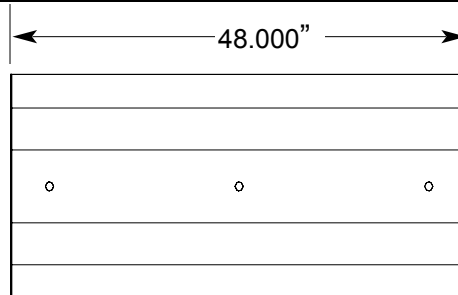
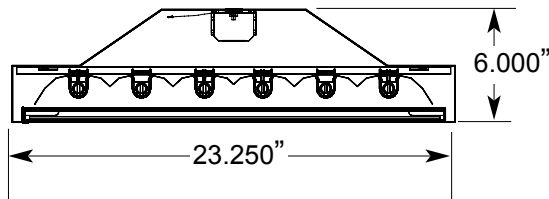
**Finish:** All parts are painted with a smooth, glossy, highly reflective white paint.

**Reflector:** Can be ordered with a 95% specular, a 85% specular, or a 92% diffuse white enamel. (For maximum performance, 95% specular is recommended.) Substrate is 0.020" high quality aluminum. The reflector profile is optimized using computer analysis and manufactured using state of the art CNC equipment. A protective premask is applied to all reflective surfaces prior to manufacture.

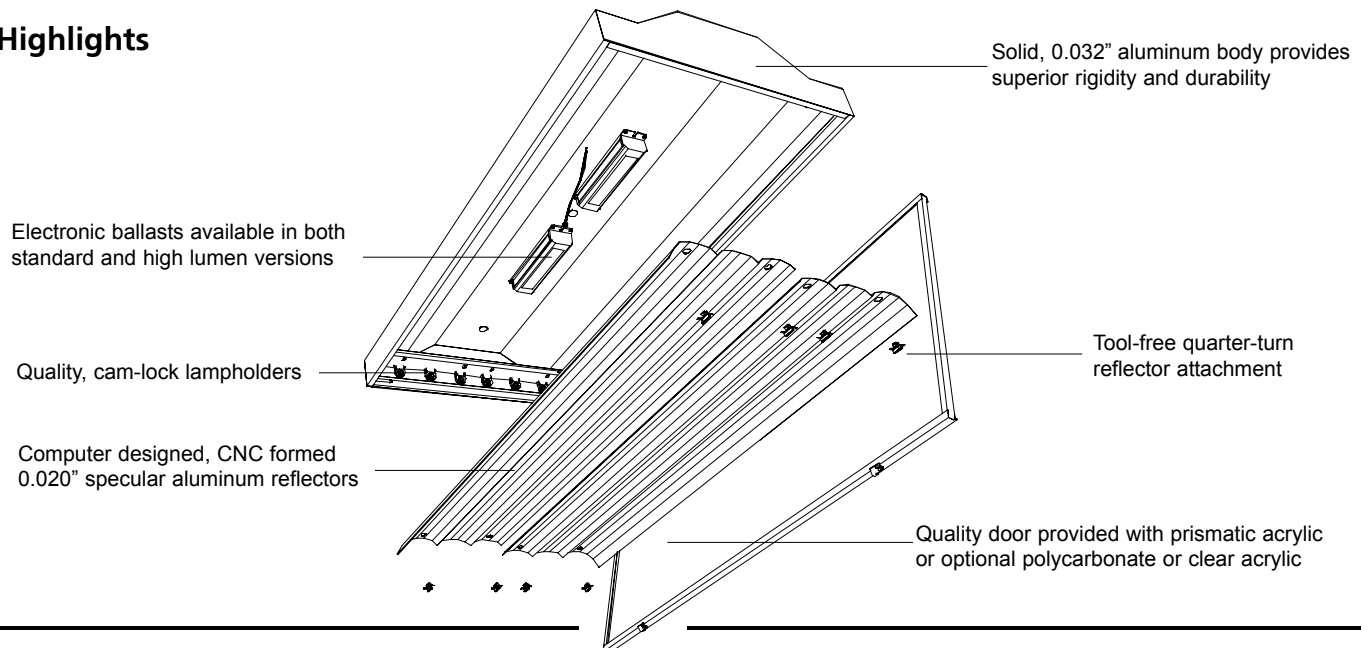
**Construction:** The solid twelve-bend body provides added rigidity. The endplates are riveted in place and the fixture is painted after assembly. The reflectors are attached to the socket bars with quarter-turn fasteners. No tools or additional fasteners are required for reflector installation and removal.

**Mounting:** Fixture is designed for pendant mount applications

**Installation**



**Highlights**



Photometrics

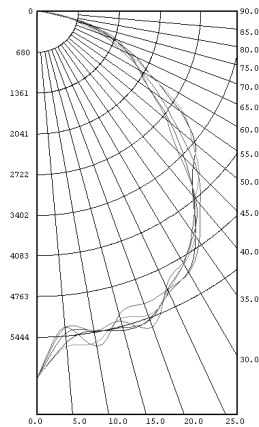


**Energy Solutions**  
Premium Lighting without the Premium Price

Energy Solutions International, Inc.  
1385 Mendota Heights Road  
Saint Paul, MN 55120

.ENERGY SOLUTIONS 2 X 4 FLUORESCENT LUMINAIRE  
WITH WHITE INTERIOR, SPECULAR REFLECTOR AND CLEAR LENS  
SIX T8 LINEAR FLUORESCENT 32 WATT LAMPS, LUMEN RATING 3000 LMS.  
TWO SYLVANIA QT 3X32/277 PLUS BALLASTS OPERATING AT 277 VAC AND 112 WATTS

CANDLEPOWER SUMMARY

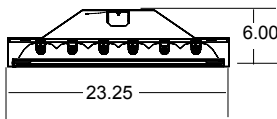


	0.00	22.50	45.00	67.50	90.00
0.00	6124	6124	6124	6124	6124
5.00	5551	5620	5291	5396	5303
10.00	5422	5617	5683	5420	5421
15.00	5519	5316	5247	5468	5356
20.00	5465	5403	5191	5488	5606
25.00	5186	5168	5124	5127	5068
30.00	5028	4886	5049	4875	4848
35.00	4596	4594	4696	4493	4538
40.00	4044	4103	4223	4071	4110
45.00	3664	3809	3775	3466	3325
50.00	3434	3367	3075	2906	2812
55.00	2904	2986	2496	2287	2280
60.00	2219	2228	1999	1945	1975
65.00	1800	1700	1520	1683	1655
70.00	1314	1119	1185	1335	1430
75.00	857	703	808	993	936
80.00	304	377	433	428	378
85.00	66.2	107	97.9	72.0	60.4
90.00	5.63	4.25	0.000	4.08	0.000

ZONAL LUMENS AND PERCENTAGES

Zone	Lumens	%Lamp	%Fixt
0- 30	4438	25.5	29.4
0- 40	7290	41.9	48.4
0- 60	12400	71.3	82.2
0- 90	15076	86.6	100.0
90-120	1	0.0	0.0
90-130	1	0.0	0.0
90-150	1	0.0	0.0
90-180	1	0.0	0.0
0-180	15077	86.6	100.0

\*\* EFFICIENCY = 86.6% \*\*



LUMINANCE SUMMARY - CD./SQ.M.

	0	45	90
0	8326.51	8326.51	8326.51
45	6128.14	5499.19	4908.23
50	6164.02	4709.26	4371.04
55	5670.55	4081.46	3774.05
60	4792.06	3497.85	3224.48
65	4383.41	2900.02	3228.86
70	3701.31	2506.54	3104.84
75	2887.38	1934.16	2309.57
80	1287.36	1205.58	1090.21
85	380.98	328.01	211.45

PAINT REFLECTANCE = 0.78 S/MH = 1.21  
SC (ALONG) = 1.21 SC (ACROSS) = 1.18

PREPARED IN PHOTOPIA FOR  
ENERGY SOLUTIONS  
ST. PAUL, MN

Ordering Information

Part Number = Fixture Size + Reflector Material + # Lamps + Lamp Wattage + Lens + Voltage + Ballast Type + Options

(Example F-24PBEA632PR277H = 2'x4' Power Bay with an enhanced alum. reflector, 6-32W lamps, clear lens, 277 volts, and a high power ballast)

<b>Size</b>	<b>Reflector</b>	<b># Lamps</b>	<b>Lamp Watts</b>	<b>Lens</b>	<b>Voltage</b>	<b>Ballast</b>
F-24PB - 2' x 4'	EA - Enhanced Alum	4	28	PR - Prismatic	120	N - Normal
	AA - Anodized Alum	6	32	PO - Polycarbonate	277	H - High Ballast Factor
	WR - White Enamel	8	54	CL - Clear		L - Low Ballast Factor